

Ampgard remote operator



For customers seeking to remain outside the arc flash protection boundary when operating an isolation switch, Eaton® is pleased to introduce the Ampgard® Remote Operator (ARO).

Available as an option for Ampgard medium voltage motor starters, the ARO enables users to open or close the motor starter's isolation switch through the use of a pendant pushbutton station operated up to 30 feet away. Users can mount the ARO on the front of the starter, plug it into any available 120 Vac source, then easily and conveniently operate the isolation switch from outside the arc flash boundary.

Features

- An alternative to arc resistant medium voltage motor starter equipment
- The pendant pushbutton station and its 30 ft umbilical cord can be removed from the ARO assembly for ease of transportation or storage
- The ARO simply slides onto two studs permanently mounted on the starter door. Once mounted, the ARO handle mechanism is easily connected to the operating handle of the ISO switch
- An intelligent relay senses the ARO condition and alerts user by a blinking light if the operator fails to fully open or close the switch so appropriate actions can be taken
- Handles installed on ARO for ease of carrying and mounting
- Door modification kits are available for adapting existing starter doors for the ARO

Benefits

- Users are able to open or close the isolation switch from a distance of up to 30 ft from the equipment
- All of the starter's standard mechanical interlocks remain operational with the ARO—the starter door cannot be opened with the switch closed, and the main contactor must be open before the ARO can open or close the switch
- One ARO can be utilized for an entire lineup of Ampgard starters or facility

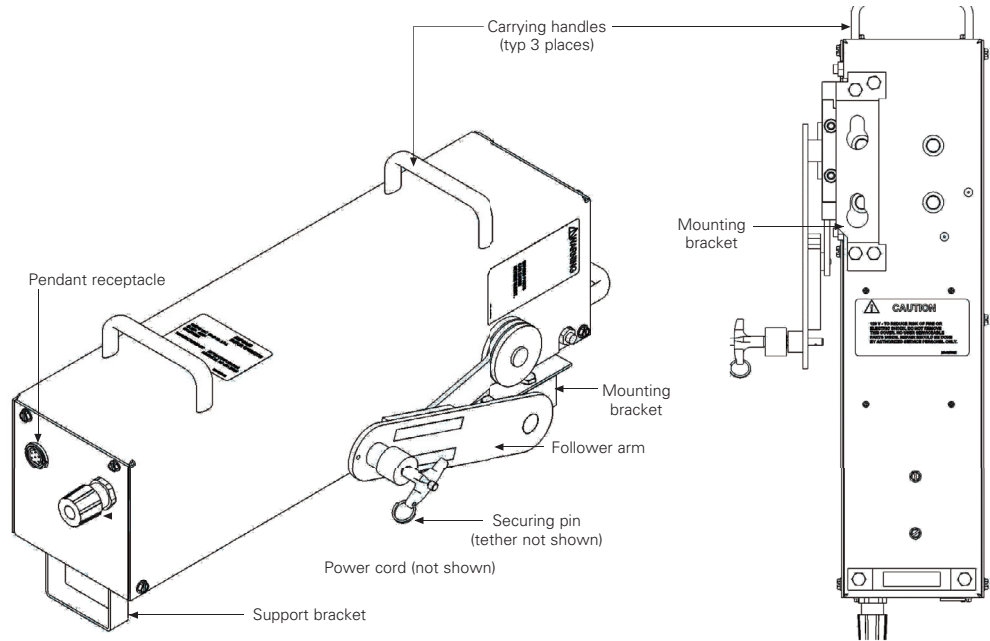


Powering Business Worldwide

Remote operator specifications

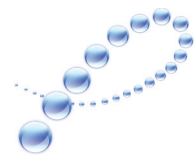
Power requirements	120 Vac, 50 Hz or 60 Hz
Power consumption	250 watts
Dimensions	
Height	8.6 inches
Width	7.9 inches
Depth	21.3 inches
Weight	29 pounds
Mechanical life	10,000 operations

The Remote Operator



Eaton Corporation
 Electrical Group
 1000 Cherrington Parkway
 Moon Township, PA 15108
 United States
 877-ETN-CARE (877-386-2273)
 Eaton.com

© 2009 Eaton Corporation
 All Rights Reserved
 Printed in USA
 Publication No. PA02003002E/Z7669
 March 2009



PowerChain Management®

PowerChain Management is a registered trademark of Eaton Corporation.

All other trademarks are property of their respective owners.