

## Ulusoy Cast Resin Dry Type Transformer

Eaton offers high quality and performance cast resin dry type transformers for several applications. Transformers can be used at high altitude and marine environment under hard conditions through their accordance with special and international standards. It provides general security for environment with its non-flammable, self-extinguished, toxic gas-free structure and low noise level.

Ulusoy cast resin dry type transformers are humidity proof and suitable for operating in humid and extremely polluted environments. They are ideal transformers to work at -25°C and more than 95% humidity level.

### Standards

Ulusoy cast resin dry type transformers are manufactured in accordance with the national and international standards such as:

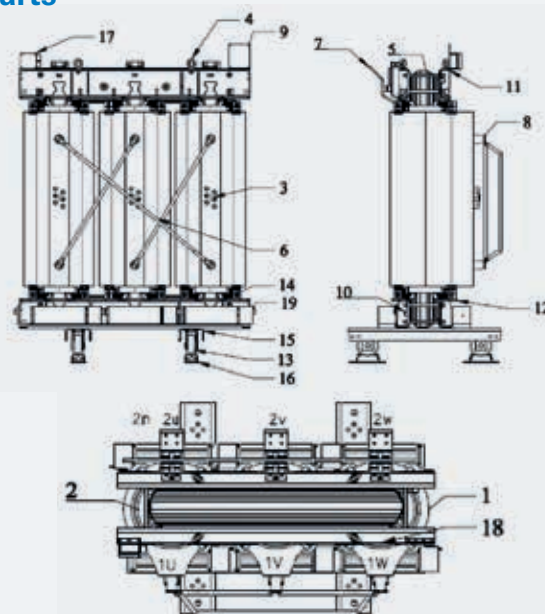
- TS EN
- IEC
- IEEE
- CENELEC EN
- DIN EN 50588-1

### Transformer Production

Rated Frequency	Hz	Specified according to requirement
Rated Power	kVA	up to 5000kVA
Rated Voltage		
MV Winding	kV	up to 36kV
LV Winding	V	Specified according to requirement
Environmental Class	E0 / E1 / E2	
Climate Class	C1 / C2	
Fire Class	F0 / F1	



### Parts



- |                          |                       |                        |
|--------------------------|-----------------------|------------------------|
| 1. HV winding            | 8. HV terminal        | 15. Base               |
| 2. LV winding            | 9. Sign plate         | 16. Anti-vibration pad |
| 3. Tap changer terminal  | 10. Earthing link     | 17. Terminal box       |
| 4. Lifting lugs          | 11. Top yoke clamp    | 18. PT100              |
| 5. Core                  | 12. Bottom yoke clamp | 19. Fan                |
| 6. Delta connection rods | 13. Wheels            |                        |
| 7. LV terminal           | 14. Wedges            |                        |



*Powering Business Worldwide*

# Ulusoy Liquid Immersed Distribution Transformer

Eaton manufactures liquid immersed distribution transformers with a power range between 25kVA - 5MVA, 36kV maximum voltage, in accordance with international standards and customer requirements.

Transformers are manufactured according to IEC 60076 standards and tests are performed at inhouse laboratory.

Eaton designs and manufactures special transformers according to customer requirements with high technology machinery in global standards.



## Standards

Ulusoy liquid immersed distribution transformer is manufactured in accordance with the national and international standards given below:

- TS EN
- IEC
- IEEE
- CENELEC EN
- DIN EN 50588-1

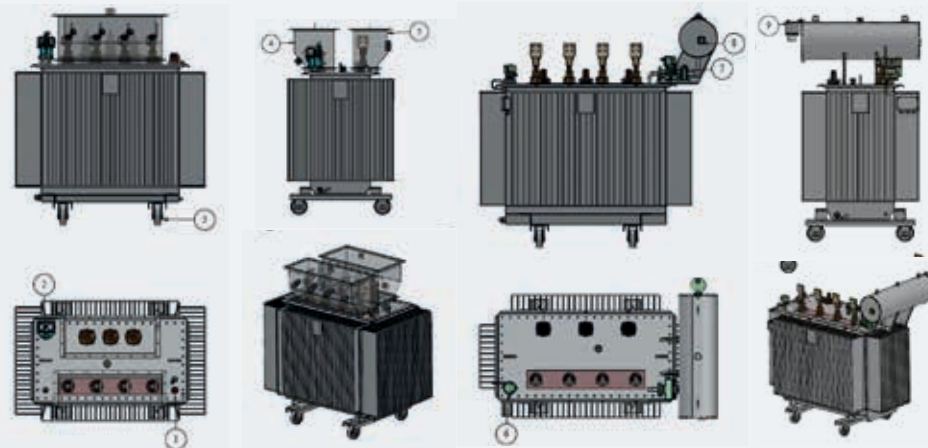
## Transformer Production

Rated Frequency	Hz	Specified according to requirement
Rated Power	kVA	up to 5.000kVA
Rated Voltage		
MV Winding	kV	up to 36kV
LV Winding	V	Specified according to requirement

## Parts

### • Hermetically Sealed Transformer

### • Transformer with Conservator Tank



1. Pressure relief valve
2. Hermetic protection relay
3. Wheels
4. HV cable box
5. LV cable box
6. Oil thermometer with contact
7. Buchholz relay
8. Magnetic oil level indicator
9. Dehydrating breather