

**Distribution Board - xBoard**  
Non-split and split type - TPN

# Safest, simplest and efficient system for power distribution



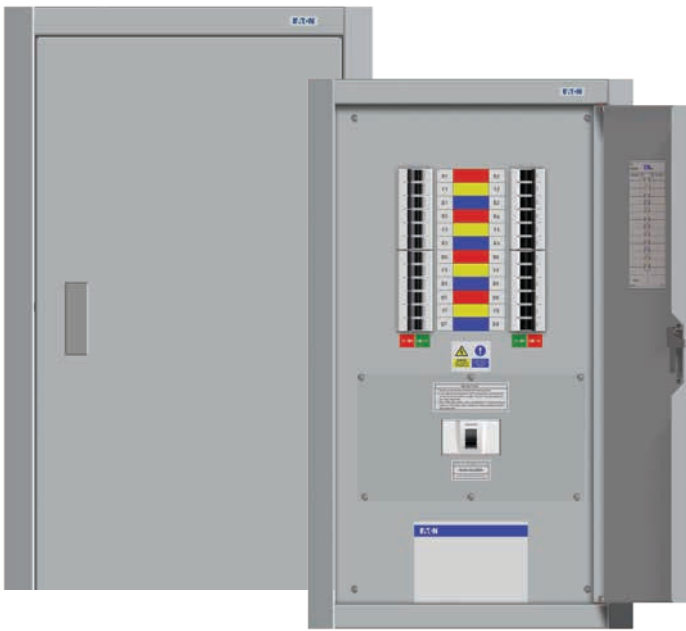
**EATON**  
*Powering Business Worldwide*

**Approved by:**  
ADDC | AADC | ADCE



# Product overview

A - Non-split type DBs



B - Split type DBs



## General characteristics

Our inspirations are our customer's expectations and our mission is to meet them and provide satisfaction through quality products, services and delivery.

Eaton xBoard range of distribution solutions is the basis for development and growth in meeting all the demands for a successful future in residential, commercial and infrastructure segments.

The Distribution Board is designed as per the new standard IEC 61439-3

- It is easy to select, install and use.
- It is fitted with a removable and adjustable chassis.
- The front door is removable and reversible.
- For convenience and easy access the gland plates on the top and bottom are removable.
- The lock is a standard metal lock, key lock provision is also available.



# Product overview

- Available in flush and surface mounting design.
- Colour available as standard RAL 7035 and other colours are available upon request.
- Incomer options: Isolators, MCBs, RCDs, MCCBs and direct connection.

## Accessories

Blanking plate, terminal shield and lock with 2 keys

- Complete with earth and neutral terminals suitable for 25mm<sup>2</sup> wire
- Tin plated busbars are provided to enhance conductivity. DIN rail provided for easy placing of outgoing devices.

## Technical data

**Standard:** IEC 61439-3

**Voltage range:** 3-Phase, rated voltage 240/415V, 50/60Hz

**Degree of protection:** Indoor use IP4x or IP42 (on request)

**Enclosure thickness:** 1.25mm Solid construction

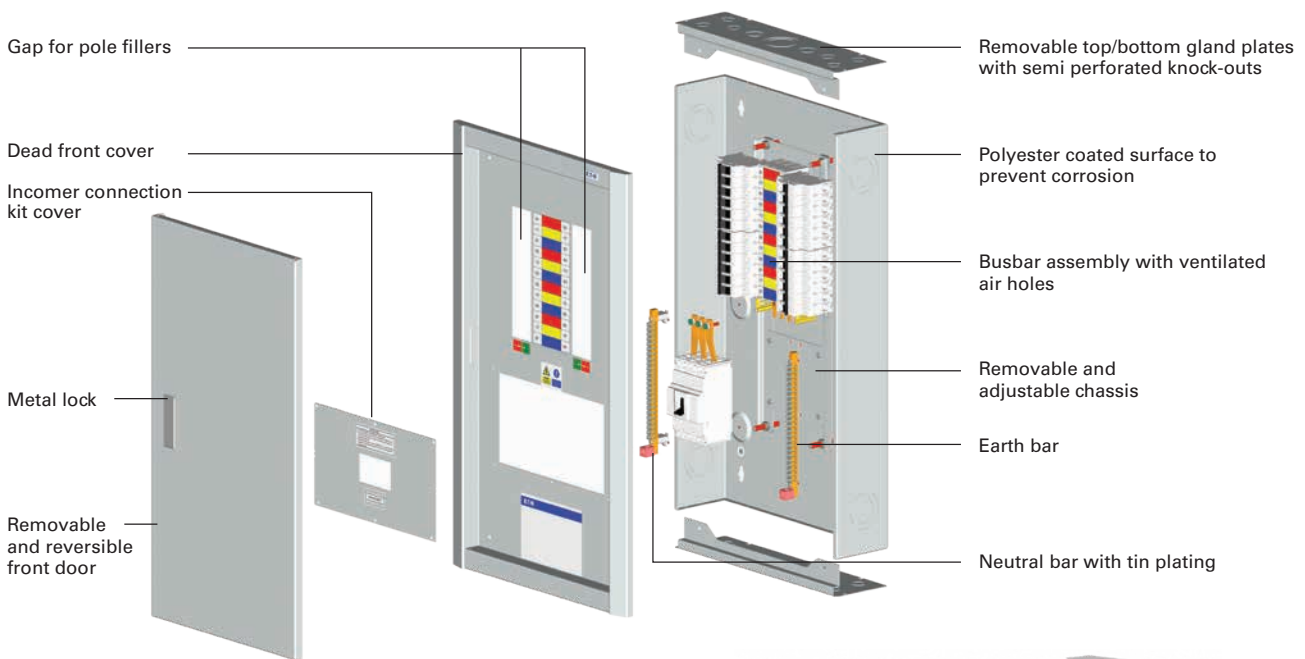
**Enclosure material:** Polyester coated sheet steel enclosure

**Short circuit level**  
20kA for 0.25 sec

## A - Non-split type:

**Rated busbar capacity:** 100A, 125A, 200A and 250A

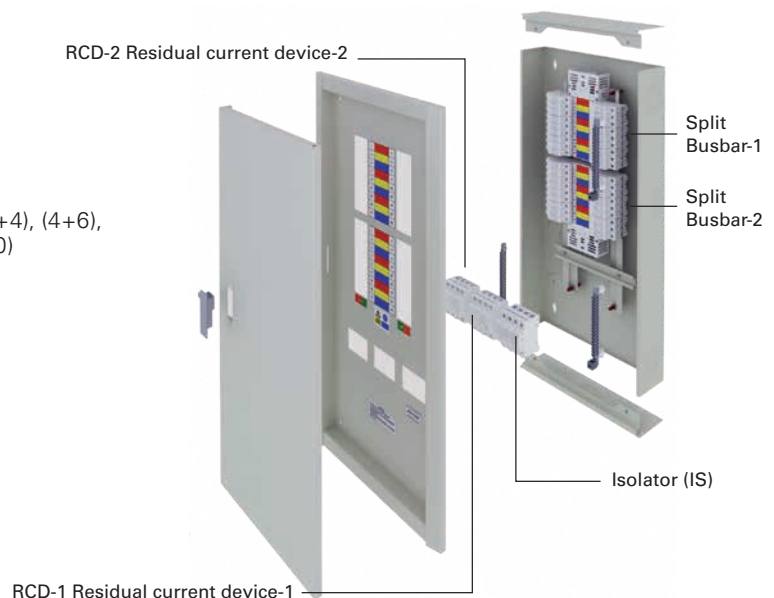
**No. of TP (SP) ways:** 4(12), 6(18), 8(24), 10(30), 12(36), 14(42), 16(48), 18(54), 20(60).



## B - Split type:

**Rated busbar capacity:** 100A

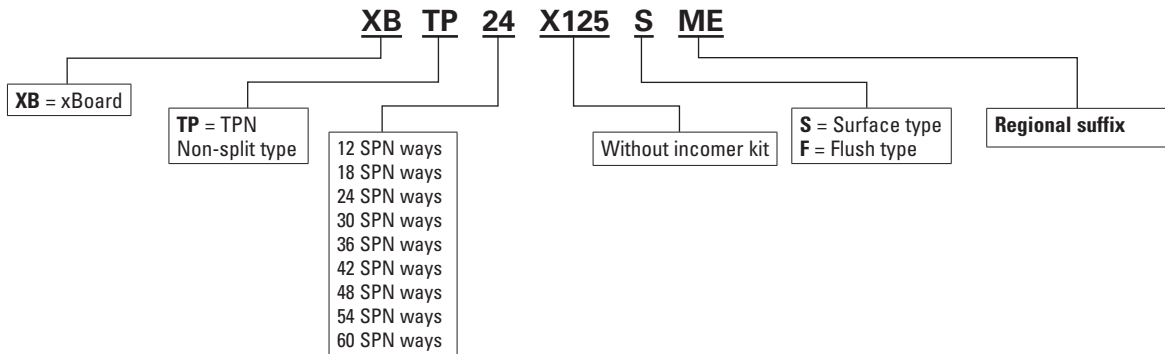
**No. of TP ways:** (2+2), (2+4), (2+6), (2+12), (4+2), (4+4), (4+6), (4+8), (4+10), (4+12), (6+2), (6+4), (6+6), (6+8), (6+10), (8+2), (8+4), (8+6), (8+8), (10+4), (10+6), (12+4)



# Ordering and dimension details

## 1 - Non-split type DBs

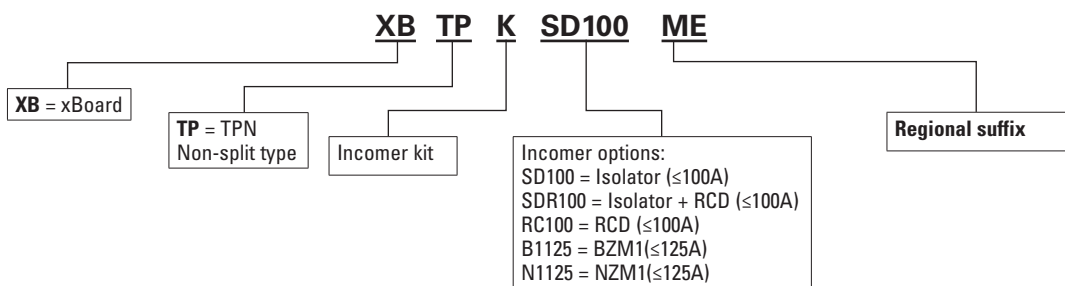
### Enclosures part number reference



- Minimum ordering requirement: distribution board + incoming device + incomer connection kit + outgoing devices + blanking plates

Type	Busbar rating	Type of mounting	Outgoing ways		Eaton List number	Dimensions (mm)		
			SP	TP		H	W	D
xBoard Non-Split Type TPN DB	125A	Flush	12	4	XBTP12X125FME	614	427	128
			18	6	XBTP18X125FME	668	427	128
			24	8	XBTP24X125FME	722	427	128
			30	10	XBTP30X125FME	776	427	128
			36	12	XBTP36X125FME	830	427	128
			42	14	XBTP42X125FME	884	427	128
			48	16	XBTP48X125FME	938	427	128
			54	18	XBTP54X125FME	992	427	128
			60	20	XBTP60X125FME	1046	427	128
		Surface	12	4	XBTP12X125SME	587	400	128
			18	6	XBTP18X125SME	641	400	128
			24	8	XBTP24X125SME	695	400	128
			30	10	XBTP30X125SME	749	400	128
			36	12	XBTP36X125SME	803	400	128
			42	14	XBTP42X125SME	857	400	128
			48	16	XBTP48X125SME	911	400	128
			54	18	XBTP54X125SME	965	400	128
			60	20	XBTP60X125SME	1019	400	128

### Incomer connection kit part number reference



# Ordering and dimension details

Description	Eaton List number
Incomer Kit Switch Disconnecter (Isolator) ≤ 100A	XBTPKSD100ME
Incomer Kit Switch Disconnecter (Isolator) + RCD ≤ 100A	XBTPKSDR100ME
Incomer Kit RCD ≤ 100A	XBTPKRC100ME
Incomer Kit BZM1 ≤ 125A	XBTPKB1125ME
Incomer Kit NZM1 ≤ 125A	XBTPKN1125ME

## 1 - Non-split type DBs (BZM2 Incomer)

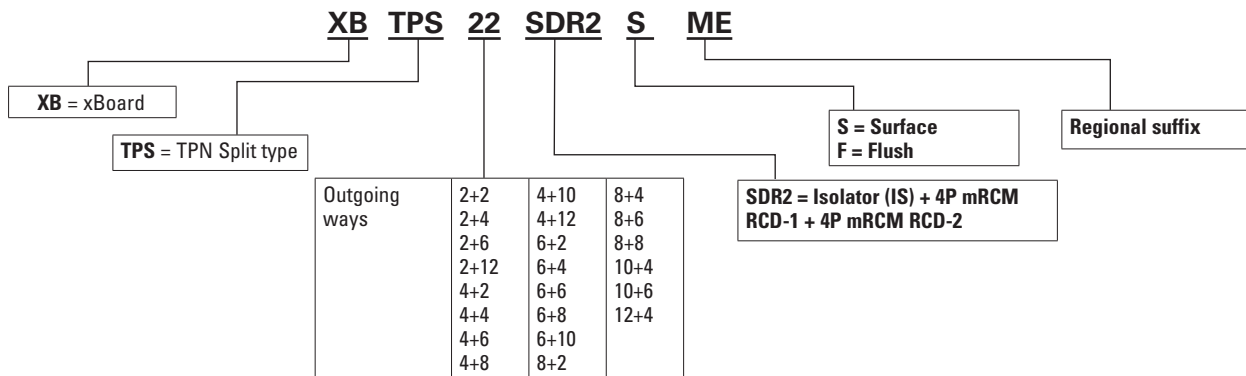
### Part number reference

Type	Busbar rating	Type of mounting	Outgoing ways		Incomer provision BZM2 3P	Dimensions (mm)		
			SP	TP		H	W	D
TPN DB (MCCB incomer)	200A	Flush	12	4	XBTP12B220FME	722	427	128
			18	6	XBTP18B220FME	776	427	128
			24	8	XBTP24B225FME	830	427	128
			30	10	XBTP30B225FME	884	427	128
			36	12	XBTP36B225FME	938	427	128
			42	14	XBTP42B225FME	992	427	128
			48	16	XBTP48B225FME	1046	427	128
			54	18	XBTP54B225FME	1100	427	128
	60	20	XBTP60B225FME	1154	427	128		
	200A	Surface	12	4	XBTP12B220SME	695	400	128
			18	6	XBTP18B220SME	749	400	128
			24	8	XBTP24B225SME	803	400	128
			30	10	XBTP30B225SME	857	400	128
			36	12	XBTP36B225SME	911	400	128
42			14	XBTP42B225SME	965	400	128	
250A	Surface	48	16	XBTP48B225SME	1019	400	128	
		54	18	XBTP54B225SME	1073	400	128	
		60	20	XBTP60B225SME	1127	400	128	

# Ordering and dimension details

## 2 - Split type DBs

Part number reference



Type	Busbar rating	Type of mounting	Outgoing ways (TP)	Part number (Isolator + 4P RCD-1 + 4P RCD-2)	Dimensions (mm)				
					H	W	D		
TPN DB (Din rail incomer)	100A	Flush	2+2	XBTPS22SDR2FME	614	427	128		
			2+4	XBTPS24SDR2FME	668	427	128		
			2+6	XBTPS26SDR2FME	722	427	128		
			2+12	XBTPS212SDR2FME	884	427	128		
			4+2	XBTPS42SDR2FME	668	427	128		
			4+4	XBTPS44SDR2FME	722	427	128		
			4+6	XBTPS46SDR2FME	776	427	128		
			4+8	XBTPS48SDR2FME	830	427	128		
			4+10	XBTPS410SDR2FME	884	427	128		
			4+12	XBTPS412SDR2FME	938	427	128		
			6+2	XBTPS62SDR2FME	722	427	128		
			6+4	XBTPS64SDR2FME	776	427	128		
			6+6	XBTPS66SDR2FME	830	427	128		
			6+8	XBTPS68SDR2FME	884	427	128		
			6+10	XBTPS610SDR2FME	938	427	128		
			8+2	XBTPS82SDR2FME	776	427	128		
			8+4	XBTPS84SDR2FME	830	427	128		
			8+6	XBTPS86SDR2FME	884	427	128		
		8+8	XBTPS88SDR2FME	938	427	128			
		10+4	XBTPS104SDR2FME	884	427	128			
		10+6	XBTPS106SDR2FME	938	427	128			
		12+4	XBTPS124SDR2FME	938	427	128			
		Surface			2+2	XBTPS22SDR2SME	587	400	128
					2+4	XBTPS24SDR2SME	641	400	128
					2+6	XBTPS26SDR2SME	695	400	128
					2+12	XBTPS212SDR2SME	857	400	128
					4+2	XBTPS42SDR2SME	641	400	128
					4+4	XBTPS44SDR2SME	695	400	128
					4+6	XBTPS46SDR2SME	749	400	128
					4+8	XBTPS48SDR2SME	803	400	128
					4+10	XBTPS410SDR2SME	857	400	128
					4+12	XBTPS412SDR2SME	911	400	128
					6+2	XBTPS62SDR2SME	695	400	128
					6+4	XBTPS64SDR2SME	749	400	128
6+6	XBTPS66SDR2SME				803	400	128		
6+8	XBTPS68SDR2SME				857	400	128		
6+10	XBTPS610SDR2SME				911	400	128		
8+2	XBTPS82SDR2SME				749	400	128		
8+4	XBTPS84SDR2SME	803	400	128					
8+6	XBTPS86SDR2SME	857	400	128					
8+8	XBTPS88SDR2SME	911	400	128					
10+4	XBTPS104SDR2SME	857	400	128					
10+6	XBTPS106SDR2SME	911	400	128					
12+4	XBTPS124SDR2SME	911	400	128					



# Selection of incomers and outgoers

xBoard - TPN non-split board



xBoard - TPN split board



## Outgoing devices



## Incoming devices



## Eaton mMC range of MCBs

- Up to 63A
- 4.5kA/6kA/10kA
- 1P, 2P and 3P



## Eaton range of din rail incomers

### For Non-split type DB:

- IS Isolators - 3P and 4P
- mMC Range of MCBs - 3P and 4P
- mRCM Range of RCDs - 4P
- IS Isolators + mRCM RCDs (4P)

### For split type DB:

- IS Isolators + mRCM RCD-1 (4P) + mRCM RCD-2 (4P)



## Eaton eRBM range of RCBOs

- Up to 45A
- 1P + N
- 10/30/100/300mA

## Eaton range of MCCBs

- NZM1 MCCBs - 3P
- BZM1 MCCBs - 3P
- BZM2 MCCBs - 3P

## A. Molded Case Circuit Breakers

**NZM1**



Rated current =rated uninterrupted current $I_n=I_u$ A	Overload releases $I_r$ A	Short circuit releases Non-delayed $I_i=I_{nx}$	Basic switching capacity 25kA at 415V 50/60Hz Part no. Article no. 1 of each	Article no. 1 of each	Comfort switching capacity 36kA at 415V 50/60Hz Part no. Article no. 1 of each	Article no. 1 of each
<b>3-pole</b>						
Box terminal						
100	80-100	6-10	NZMB1-A100	259079	NZMC1-A100	271396
125	100-125	6-10	NZMB1-A125	259080	NZMC1-A125	271397
160	125-160	1280A fixed	NZMB1-A160	281230	NZMC1-A160	283296

**Note:** For screw terminals types and accessories please consult Eaton MCCB NZM range main catalog.

**BZM1**



Rated current =rated uninterrupted current $I_n=I_u$ A	Short circuit releases / A	Domestic switching capacity 15kA at 415V 50/60Hz Part no.	Article no. 1 of each	Economy switching capacity 18kA at 415V 50/60Hz Part no.	Article no. 1 of each
<b>3-pole</b>					
Box terminal					
100	800-1200	BZMD1-A100-BT	109757	BZME1-A100-BT	109758
125	800-1200	BZMD1-A125-BT	112496	BZME1-A125-BT	112498

**BZM2**



Rated current =rated uninterrupted current $I_n=I_u$ A	Short circuit releases / A	Basic switching capacity 25kA at 415V 50/60Hz Part no.	Article no. 1 of each
<b>3-pole</b>			
Cable lug terminal			
125	1400-2100	BZMB2-A125	119732
160	1400-2100	BZMB2-A160	116970
200	1400-2100	BZMB2-A200	116971
250	1400-2100	BZMB2-A250	116972

**Note:** Overload release and short circuit release are fixed not adjustable for BZM MCCBs



## B. Main Load Disconnector Switches (Isolator) IS

SG10811



SG10911



Rated current In (A)	Poles	Type designation	Article no.
<b>3-pole</b>			
16	3	IS-16/3	276256
20	3	IS-20/3	276260
25	3	IS-25/3	276264
32	3	IS-32/3	276268
40	3	IS-40/3	276272
63	3	IS-63/3	276276
80	3	IS-80/3	276280
100	3	IS-100/3	276284
125	3	IS-125/3	276288
<b>4-pole</b>			
16	4	IS-16/4	276257
20	4	IS-20/4	276261
25	4	IS-25/4	276265
32	4	IS-32/4	276269
40	4	IS-40/4	276273
63	4	IS-63/4	276277
80	4	IS-80/4	276281
100	4	IS-100/4	276285
125	4	IS-125/4	276289

## C. Residual Current Devices mRCM Conditionally surge current-proof 250A, type AC

SG67412



In/Δn (A)	Poles	Type designation	Article no.
<b>4-pole</b>			
25/0.03	4	mRCM-25/4/003	142781
25/0.1	4	mRCM-25/4/01	142783
25/0.3	4	mRCM-25/4/03	142785
40/0.03	4	mRCM-40/4/003	142787
40/0.1	4	mRCM-40/4/01	142789
40/0.3	4	mRCM-40/4/03	142791
63/0.03	4	mRCM-63/4/003	142793
63/0.1	4	mRCM-63/4/01	142795
63/0.3	4	mRCM-63/4/03	142797
80/0.03	4	mRCM-80/4/003	142799
80/0.1	4	mRCM-80/4/01	142801
80/0.3	4	mRCM-80/4/03	142803
100/0.03	4	mRCM-100/4/003	142805
100/0.1	4	mRCM-100/4/01	142807
100/0.3	4	mRCM-100/4/03	142809

**Note:** For other types of RCD's Breakers Please consult our modular circuit protection devices catalog.

## D. Miniature Circuit Breakers

SG66512



Rated current In (A)	Type designation mMCM/ 10KA, Characteristic C	Article no.	Type designation mMC6/ 6KA, Characteristic C	Article no.	Type designation mMC4/ 4.5KA, Characteristic C	Article no.
<b>3-pole</b>						
1	mMCM-C1/3	139112	mMC6-C1/3	139072	mMC4-C1/3	139032
2	mMCM-C2/3	139113	mMC6-C2/3	139073	mMC4-C2/3	139033
3	mMCM-C3/3	139114	mMC6-C3/3	139074	mMC4-C3/3	139034
4	mMCM-C4/3	139115	mMC6-C4/3	139075	mMC4-C4/3	139035
5	mMCM-C5/3	170077	mMC6-C5/3	170005	mMC4-C5/3	169937
6	mMCM-C6/3	139116	mMC6-C6/3	139076	mMC4-C6/3	139036
8	mMCM-C8/3	170078	mMC6-C8/3	170006	mMC4-C8/3	169938
10	mMCM-C10/3	139117	mMC6-C10/3	139077	mMC4-C10/3	139037
12	mMCM-C12/3	170079	mMC6-C12/3	170007	mMC4-C12/3	169939
13	mMCM-C13/3	139118	mMC6-C13/3	139078	mMC4-C13/3	139038
15	mMCM-C15/3	170080	mMC6-C15/3	170008	mMC4-C15/3	169940
16	mMCM-C16/3	139119	mMC6-C16/3	139079	mMC4-C16/3	139039
20	mMCM-C20/3	139120	mMC6-C20/3	139080	mMC4-C20/3	139040
25	mMCM-C25/3	139121	mMC6-C25/3	139081	mMC4-C25/3	139041
32	mMCM-C32/3	139122	mMC6-C32/3	139082	mMC4-C32/3	139042
40	mMCM-C40/3	139123	mMC6-C40/3	139083	mMC4-C40/3	139043
50	mMCM-C50/3	139124	mMC6-C50/3	139084	mMC4-C50/3	139044
63	mMCM-C63/3	139125	mMC6-C63/3	139085	mMC4-C63/3	139045

SG66912



<b>4-pole</b>						
1	mMCM-C1/4	139232	mMC6-C1/4	139192	mMC4-C1/4	139152
2	mMCM-C2/4	139233	mMC6-C2/4	139193	mMC4-C2/4	139153
3	mMCM-C3/4	139234	mMC6-C3/4	139194	mMC4-C3/4	139154
4	mMCM-C4/4	139235	mMC6-C4/4	139195	mMC4-C4/4	139155
5	mMCM-C5/4	170085	mMC6-C5/4	170013	mMC4-C5/4	169889
6	mMCM-C6/4	139236	mMC6-C6/4	139196	mMC4-C6/4	139156
8	mMCM-C8/4	170086	mMC6-C8/4	170014	mMC4-C8/4	169890
10	mMCM-C10/4	139237	mMC6-C10/4	139197	mMC4-C10/4	139157
12	mMCM-C12/4	170087	mMC6-C12/4	170015	mMC4-C12/4	169891
13	mMCM-C13/4	139238	mMC6-C13/4	139198	mMC4-C13/4	139158
15	mMCM-C15/4	170088	mMC6-C15/4	170016	mMC4-C15/4	169892
16	mMCM-C16/4	139239	mMC6-C16/4	139199	mMC4-C16/4	139159
20	mMCM-C20/4	139240	mMC6-C20/4	139200	mMC4-C20/4	139160
25	mMCM-C25/4	139241	mMC6-C25/4	139201	mMC4-C25/4	139161
32	mMCM-C32/4	139242	mMC6-C32/4	139202	mMC4-C32/4	139162
40	mMCM-C40/4	139243	mMC6-C40/4	139203	mMC4-C40/4	139163
50	mMCM-C50/4	139244	mMC6-C50/4	139204	mMC4-C50/4	139164
63	mMCM-C63/4	139245	mMC6-C63/4	139205	mMC4-C63/4	139165

**Note:** For other types of MCB Breakers Please consult our modular circuit protection devices catalog.

## A. Miniature Circuit Breakers

SG65412



Rated current In (A)	Type designation mMCM/ 10KA, characteristic C	Article no.	Type designation mMC6/ 6KA, characteristic C	Article no.	Type designation mMC4/ 4.5KA, characteristic C	Article no.
<b>1-pole</b>						
1	mMCM-C1/1	138872	mMC6-C1/1	138832	mMC4-C1/1	138792
2	mMCM-C2/1	138873	mMC6-C2/1	138833	mMC4-C2/1	138793
3	mMCM-C3/1	138874	mMC6-C3/1	138834	mMC4-C3/1	138794
4	mMCM-C4/1	138875	mMC6-C4/1	138835	mMC4-C4/1	138795
5	mMCM-C5/1	170065	mMC6-C5/1	169993	mMC4-C5/1	169925
6	mMCM-C6/1	138876	mMC6-C6/1	138836	mMC4-C6/1	138796
8	mMCM-C8/1	170066	mMC6-C8/1	169994	mMC4-C8/1	169926
10	mMCM-C10/1	138877	mMC6-C10/1	138837	mMC4-C10/1	138797
12	mMCM-C12/1	170067	mMC6-C12/1	169995	mMC4-C12/1	169927
13	mMCM-C13/1	138878	mMC6-C13/1	138838	mMC4-C13/1	138798
15	mMCM-C15/1	170068	mMC6-C15/1	169996	mMC4-C15/1	169928
16	mMCM-C16/1	138879	mMC6-C16/1	138839	mMC4-C16/1	138799
20	mMCM-C20/1	138880	mMC6-C20/1	138840	mMC4-C20/1	138800
25	mMCM-C25/1	138881	mMC6-C25/1	138841	mMC4-C25/1	138801
32	mMCM-C32/1	138882	mMC6-C32/1	138842	mMC4-C32/1	138802
40	mMCM-C40/1	138883	mMC6-C40/1	138843	mMC4-C40/1	138803
50	mMCM-C50/1	138884	mMC6-C50/1	138844	mMC4-C50/1	138804
63	mMCM-C63/1	138885	mMC6-C63/1	138845	mMC4-C63/1	138805

SG66212



<b>2-pole</b>						
1	mMCM-C1/2	138992	mMC6-C1/2	138952	mMC4-C1/2	138912
2	mMCM-C2/2	138993	mMC6-C2/2	138953	mMC4-C2/2	138913
3	mMCM-C3/2	138994	mMC6-C3/2	138954	mMC4-C3/2	138914
4	mMCM-C4/2	138995	mMC6-C4/2	138955	mMC4-C4/2	138915
5	mMCM-C5/2	170073	mMC6-C5/2	170001	mMC4-C5/2	169933
6	mMCM-C6/2	138996	mMC6-C6/2	138956	mMC4-C6/2	138916
8	mMCM-C8/2	170074	mMC6-C8/2	170002	mMC4-C8/2	169934
10	mMCM-C10/2	138997	mMC6-C10/2	138957	mMC4-C10/2	138917
12	mMCM-C12/2	170075	mMC6-C12/2	170003	mMC4-C12/2	169935
13	mMCM-C13/2	138998	mMC6-C13/2	138958	mMC4-C13/2	138918
15	mMCM-C15/2	170076	mMC6-C15/2	170004	mMC4-C15/2	169936
16	mMCM-C16/2	138999	mMC6-C16/2	138959	mMC4-C16/2	138919
20	mMCM-C20/2	139000	mMC6-C20/2	138960	mMC4-C20/2	138920
25	mMCM-C25/2	139001	mMC6-C25/2	138961	mMC4-C25/2	138921
32	mMCM-C32/2	139002	mMC6-C32/2	138962	mMC4-C32/2	138922
40	mMCM-C40/2	139003	mMC6-C40/2	138963	mMC4-C40/2	138923
50	mMCM-C50/2	139004	mMC6-C50/2	138964	mMC4-C50/2	138924
63	mMCM-C63/2	139005	mMC6-C63/2	138965	mMC4-C63/2	138925

SG66512



<b>3-pole</b>						
1	mMCM-C1/3	139112	mMC6-C1/3	139072	mMC4-C1/3	139032
2	mMCM-C2/3	139113	mMC6-C2/3	139073	mMC4-C2/3	139033
3	mMCM-C3/3	139114	mMC6-C3/3	139074	mMC4-C3/3	139034
4	mMCM-C4/3	139115	mMC6-C4/3	139075	mMC4-C4/3	139035
5	mMCM-C5/3	170077	mMC6-C5/3	170005	mMC4-C5/3	169937
6	mMCM-C6/3	139116	mMC6-C6/3	139076	mMC4-C6/3	139036
8	mMCM-C8/3	170078	mMC6-C8/3	170006	mMC4-C8/3	169938
10	mMCM-C10/3	139117	mMC6-C10/3	139077	mMC4-C10/3	139037
12	mMCM-C12/3	170079	mMC6-C12/3	170007	mMC4-C12/3	169939
13	mMCM-C13/3	139118	mMC6-C13/3	139078	mMC4-C13/3	139038
15	mMCM-C15/3	170080	mMC6-C15/3	170008	mMC4-C15/3	169940
16	mMCM-C16/3	139119	mMC6-C16/3	139079	mMC4-C16/3	139039
20	mMCM-C20/3	139120	mMC6-C20/3	139080	mMC4-C20/3	139040
25	mMCM-C25/3	139121	mMC6-C25/3	139081	mMC4-C25/3	139041
32	mMCM-C32/3	139122	mMC6-C32/3	139082	mMC4-C32/3	139042
40	mMCM-C40/3	139123	mMC6-C40/3	139083	mMC4-C40/3	139043
50	mMCM-C50/3	139124	mMC6-C50/3	139084	mMC4-C50/3	139044
63	mMCM-C63/3	139125	mMC6-C63/3	139085	mMC4-C63/3	139045

**B. Electronic Combined RCD/MCB Devices eRBM-ME,  
1 Module Unit  
1+N- Pole  
Conditionally surge current-proof 250A, type AC**



In/IΔn (A)	Type designation	Article no.
<b>Characteristic C</b>		
6/0.01	eRBM-6/1/C/001-ME	153230
8/0.01	eRBM-8/1/C/001-ME	153231
10/0.01	eRBM-10/1/C/001-ME	153232
13/0.01	eRBM-13/1/C/001-ME	153233
16/0.01	eRBM-16/1/C/001-ME	153234
20/0.01	eRBM-20/1/C/001-ME	153235
25/0.01	eRBM-25/1/C/001-ME	153236
32/0.01	eRBM-32/1/C/001-ME	153237
40/0.01	eRBM-40/1/C/001-ME	153238
45/0.01	eRBM-45/1/C/001-ME	153239
6/0.03	eRBM-6/1/C/003-ME	153240
8/0.03	eRBM-8/1/C/003-ME	153241
10/0.03	eRBM-10/1/C/003-ME	153242
13/0.03	eRBM-13/1/C/003-ME	153243
16/0.03	eRBM-16/1/C/003-ME	153244
20/0.03	eRBM-20/1/C/003-ME	153245
25/0.03	eRBM-25/1/C/003-ME	153246
32/0.03	eRBM-32/1/C/003-ME	153247
40/0.03	eRBM-40/1/C/003-ME	153248
45/0.03	eRBM-45/1/C/003-ME	153249
6/0.1	eRBM-6/1/C/01-ME	153250
8/0.1	eRBM-8/1/C/01-ME	153251
10/0.1	eRBM-10/1/C/01-ME	153252
13/0.1	eRBM-13/1/C/01-ME	153253
16/0.1	eRBM-16/1/C/01-ME	153254
20/0.1	eRBM-20/1/C/01-ME	153255
25/0.1	eRBM-25/1/C/01-ME	153256
32/0.1	eRBM-32/1/C/01-ME	153257
40/0.1	eRBM-40/1/C/01-ME	153258
45/0.1	eRBM-45/1/C/01-ME	153259
6/0.3	eRBM-6/1/C/03-ME	153260
8/0.3	eRBM-8/1/C/03-ME	153261
10/0.3	eRBM-10/1/C/03-ME	153262
13/0.3	eRBM-13/1/C/03-ME	153263
16/0.3	eRBM-16/1/C/03-ME	153264
20/0.3	eRBM-20/1/C/03-ME	153265
25/0.3	eRBM-25/1/C/03-ME	153266
32/0.3	eRBM-32/1/C/03-ME	153267
40/0.3	eRBM-40/1/C/03-ME	153268
45/0.3	eRBM-45/1/C/03-ME	153269



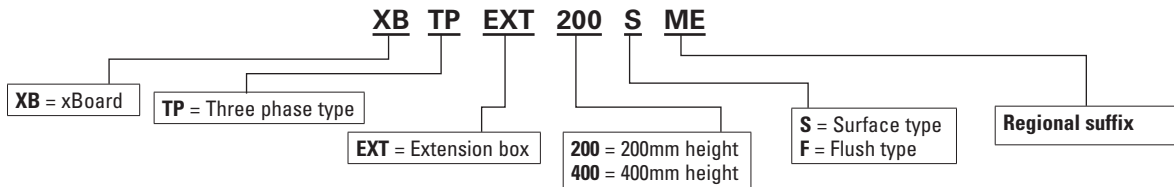
## 1. Extension box



### Technical specifications

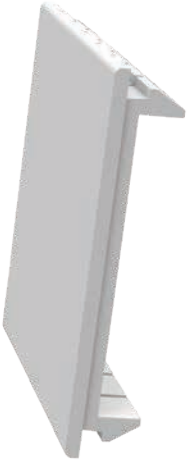
- Available in flush and surface design
- Fitted with removable din rail (1 and 2 row – for 200mm height - 1 removable din rail, for 400mm height - 2 removable din rails)
- Removable front cover
- TPN DBs bottom/top gland plate will be used to close the bottom/top side
- Color available as standard RAL 7035, other colors is available upon request

### Part number selection



Part numbers	Type of mounting	Dimensions (mm)		
		H	W	D
XBTPEXT200FME	Flush	200	427	128
XBTPEXT200SME	Surface	200	400	128
XBTPEXT400FME	Flush	400	427	128
XBTPEXT400SME	Surface	400	400	128

## 2. Blank plate and terminal cap



### Technical specifications

- Unique blanking modules can be used to cover unused outgoing ways. The blanking module is the profile of an MCB, so that it shrouds the busbar stab as well for increased safety.
- Hence, the blanking plates are used to cover unused MCB ways in the distribution boards front cover.
- Available in grey color(similar to RAL 7035)

Part number	Description	Article number
XBBLKPLT3	3 pole blank plate	187599

## 3. Key lock



### Technical specifications

- Robust spring loaded door catch with key lock
- Provided with two keys
- Available in silver color
- Replaceable at site

Part number	Description	Article number
XBKEYLOCK	Metal lock with 2 keys	187600

MGE OFFICE PROTECTION SYSTEMS  
 CEAG MOELLER  
 MTL MEM CUTLER-HAMMER  
 COOPER PDI ARROW HART  
 B-LINE BUSSMANN MTL  
 HOLEC ULUSOY  
 ARROW HART MEM BUSSMANN  
 PDI POWERWARE  
 MEM BUSSMANN  
 ARROW HART CEAG  
 MOELLER MTL POWERWARE  
 CEAG INNOVATIVE SWITCHGEAR SOLUTIONS  
 MTL B-LINE  
 HERNIS  
 COOPER  
 B-LINE  
 ARROW HART  
 MOELLER  
 CEAG MEM  
 MTL  
 COOPER  
 HERNIS POWERWARE HOLEC  
 BUSSMANN MTL ARROW HART  
 B-LINE COOPER  
 MOELLER CEAG HOLEC MOELLER  
 MTL POWERWARE CEAG  
 MEM MGE OFFICE PROTECTION SYSTEMS  
 HERNIS POWERWARE  
 COOPER ULUSOY CROUSE-HINDS  
 CEAG ARROW HART COOPER  
 PDI MOELLER CROUSE-HINDS  
 INNOVATIVE SWITCHGEAR SOLUTIONS

**MORE POSSIBILITIES.  
POWERFUL SOLUTIONS.**



*Powering Business Worldwide*

Eaton has been serving the power management needs of our customers for more than a century. Over the years, we have expanded our expertise and portfolio of products and services by uniting some of the world's most respected names with Eaton's strong heritage of innovation.

Our goal is simple; to provide unique solutions across a wide range of markets that keep businesses on the leading edge of change. That's the power of One Eaton.

**Eaton.com**



Eaton's mission is to improve the quality of life and the environment through the use of power management technologies and services. We provide sustainable solutions that help our customers effectively manage electrical, hydraulic, and mechanical power – more safely, more efficiently, and more reliably. Eaton's 2019 revenues were \$21.4 billion, and we sell products to customers in more than 175 countries. We have approximately 97,000 employees.

For more information, **visit [www.eaton.com](http://www.eaton.com)**.

#### **UAE**

##### **Middle East Headquarters**

National Industries Park – Jebel Ali (South)  
P.O. Box 261768  
Dubai, United Arab Emirates  
Tel: +971 4 8066100  
Fax: +971 4 8894813

##### **Saudi Arabia-Al Khobar**

Alfalak Building, Albandariah District,  
AL Khobar, Saudi Arabia,  
PO Box 31952  
Tel: +966 1 38825680  
Fax: +966 1 38825732

##### **Saudi Arabia-Dammam**

111 Jubail Street,  
Dammam 2nd Industrial City  
PO Box 70160 Al-Khobar 31952,  
Saudi Arabia  
Tel: +966 3 812 2236

##### **Saudi Arabia-Riyadh**

Office No. 27/28,  
4402 King Abdullah Street  
Riyadh, Saudi Arabia

#### **Kuwait**

Mazaya Tower 3  
Floor 6, Khalid Ibn Al-Waleed Street  
Sharq, Kuwait  
Tel : 00965 22050067 / 00965 22050068  
Fax : 00965 22050069

#### **Lebanon**

Sin El Fil, Saydet Al Wardiyeh Street  
Beirut Symposium building  
2nd floor, Office 2A  
Tel/ Fax: +961 1 494711

#### **Oman**

109, Maktabi Building,  
Near Zakher Mall, Al Khuwair  
P.O. Box 1982,  
PC 111 CPO, Oman.  
Tel: +968 24391973  
Fax: +968 24483801

#### **Jordan**

Amman-Mecca & Madina streets  
Intersection  
Al-Haramien intersection.  
Al Hajar Al Aswad Complex,  
3rd floor - Office 306  
Tel: + 962 6 5542538

#### **Qatar**

Financial Square Building  
Building 2, Floor 2, Office 3  
C Ring Road, Doha Qatar  
Tel: +974 44674273  
Fax: +974 44667134

#### **Egypt**

Building No.289, Off 90th Street  
Apartment 4B, 4th Floor  
5th District, New Cairo  
Egypt  
Tel: +202 261 357 47, +202 261 357 46

Changes to the products, to the information contained in this document, and to prices are reserved; so are errors and omissions. Only order confirmations and technical documentation by Eaton is binding. Photos and pictures also do not warrant a specific layout or functionality. Their use in whatever form is subject to prior approval by Eaton. The same applies to Trademarks (especially Eaton, Moeller, and Cutler-Hammer). The Terms and Conditions of Eaton apply, as referenced on Eaton Internet pages and Eaton order confirmations.

#### **Eaton**

EMEA Headquarters  
Route de la Longeraie 7  
1110 Morges, Switzerland  
[www.eaton.com](http://www.eaton.com)

© 2020 Eaton  
All Rights Reserved  
Publication No. BR090014EN  
October 2020

Eaton is a registered trademark.

All other trademarks are property of their respective owners.